

Electronics and software for Seiko Instruments™ printheads

Robust, cost-effective solutions

- trusted and proven Seiko Instruments partner since 2006
- modular components for scalable implementation
- powerful data path and application software
- off-the-shelf, production-ready solutions

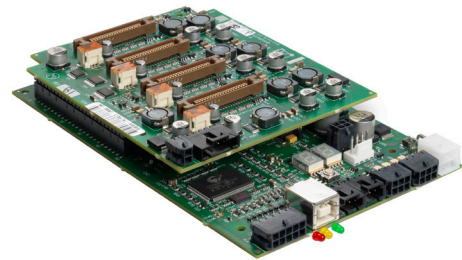


for RC1536



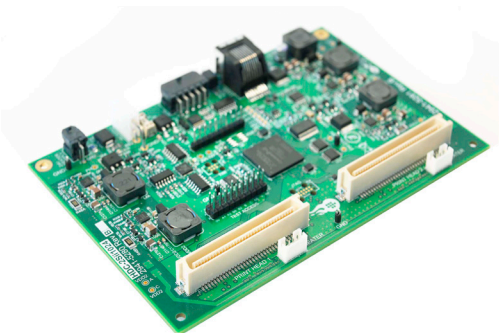
Meteor HDC-2Sii1536

for 508GS



Meteor HDC-508

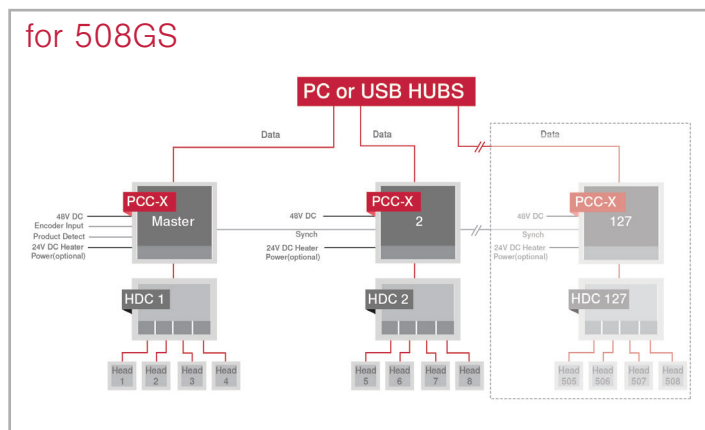
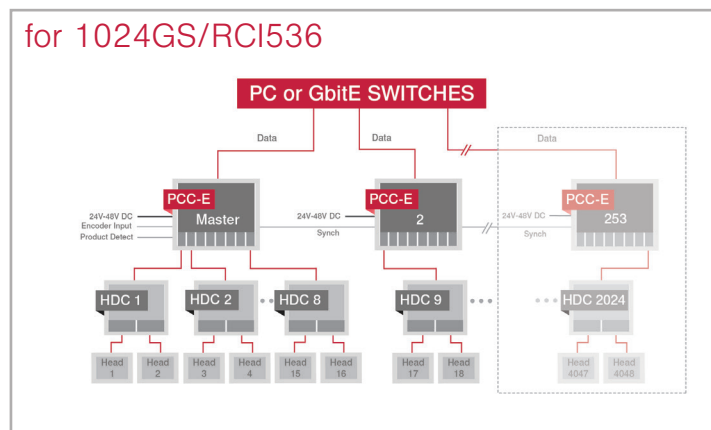
for 1024GS



Meteor HDC-2Sii1024

Meteor's comprehensive suite of software includes SDKs, application-tuned DFEs, configuration tools, embedded RIP, screening and calibration capabilities and more.

Architecture



Seiko Instruments Printhead	Meteor Product	Meteor Model Number	Physical Dimensions (mm)
508GS	Head Driver	HDC-508	115 x 95
	Print Controller	PCC-X	160 x 100 x 24
	Drop Tuner	DT-Sii508	
1024GS	Head Driver	HDC-2Sii1024	150 x 100 x 22
	Print Controller	PCC-E	160 x 100 x 21
	Drop Tuner	DT-Sii1024	
RC1536	Head Driver	HDC-2Sii1536	164 x 100 x 22
	Print Controller	PCC-E	160 x 100 x 21
	Drop Tuner	DT-Sii1536	

*Specifications may change without prior notice.

ALSO FROM METEOR

software • drop optimisation systems • waveform development services

Meteor Inkjet Ltd is a leading independent supplier of industrial inkjet electronics, software, tools and services. Working closely with all major industrial inkjet printhead manufacturers, Meteor offers production-ready solutions to print system builders world-wide.



Meteor Inkjet Ltd
 Harston Mill, Royston Road,
 Cambridge, CB22 7GG UK
 enquiries@meteorinkjet.com
 +44 345 8440012
 www.meteorinkjet.com

